



बैंक नोट पेपर मिल इण्डिया प्रा. लिमिटेड

BANK NOTE PAPER MILL INDIA PVT LIMITED

JV of SPMCIL - A Govt. of India Enterprises & BRBNMPL - A Subsidiary of RBI

email : [scmcommon@bnpmindia.com](mailto:scmcommon@bnpmindia.com), Ph: 0821 2401 178

**Limited Tender Enquiry No: BNPM/LTE/Master Vat curtain holder unit  
/509/2018-19**

**Enquiry issuing Date: 18.09.2018**

**Closing date: 25.09.2018**

**Extension 1: 05.10.2018**

**Extension 2: 19.10.2018**

**1. Scope of work:**

Supply of **Master Vat Curtain Holder Unit**

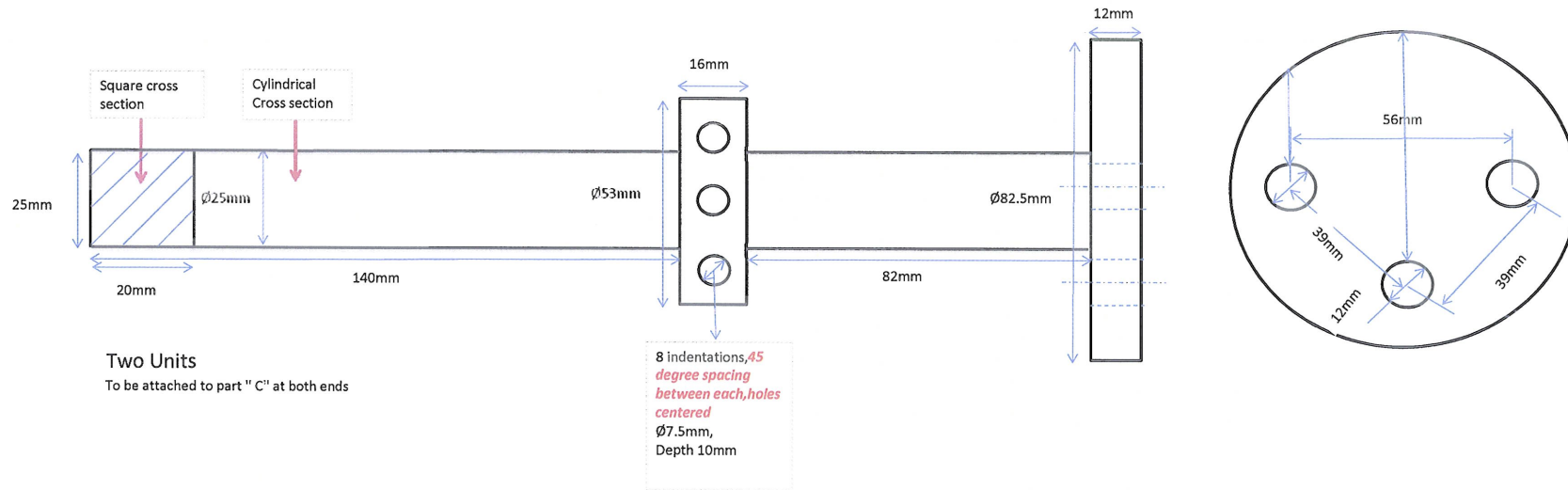
**2. Terms & Conditions:**

S. No.	Particulars	Quantity
1.	Payment Terms	100% payment shall be done within 30 days from date of receipt and acceptance of goods by the consignee at destination and on production of all required documents by the supplier.
2.	Price	Price should be inclusive of taxes,
3.	Freight	Shall be included in quoted price
4.	Packing & Forwarding	Shall be included in quoted price
5.	Delivery Terms	DAP, Bank Note Paper Mill India Private Limited, Mysore
6.	Warranty Period	..... from the date of supply at BNPM, Mysore
7.	Warranty Certificate	Applicable / Not Applicable
8.	Delivery Period	.....weeks from the date of receipt of purchase order.
9.	Material to be delivered at	Engineering Stores Bank Note Paper Mill India Private Limited Note Mudran Nagar Mysore 570 003
10.	Contact person in Engineering Stores	Mr. N. Saideep 0821-2401178 Email: <a href="mailto:Scmcommon@bnpmindia.com">Scmcommon@bnpmindia.com</a>

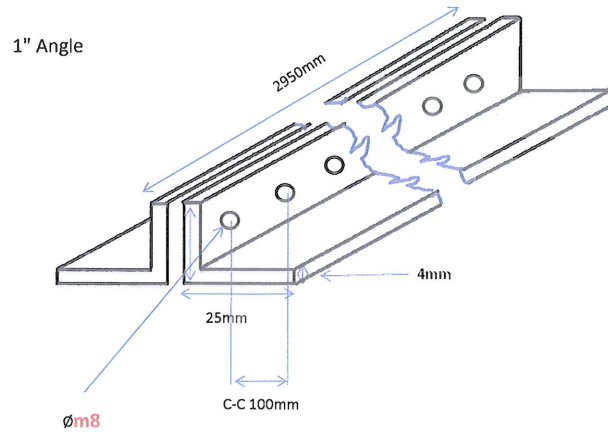


# Curtain Unit

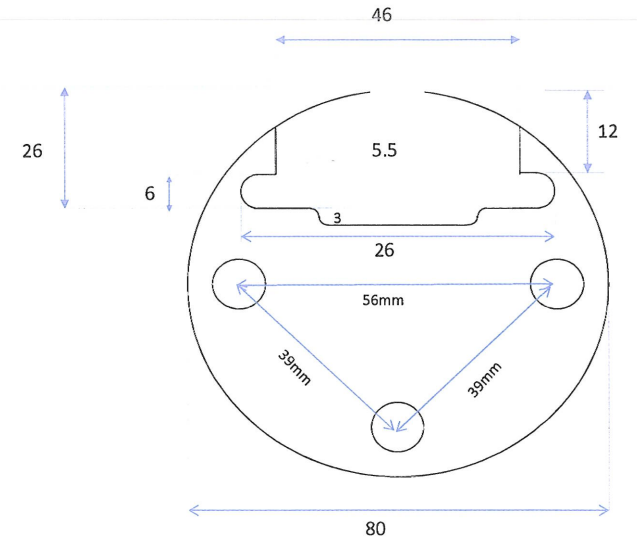
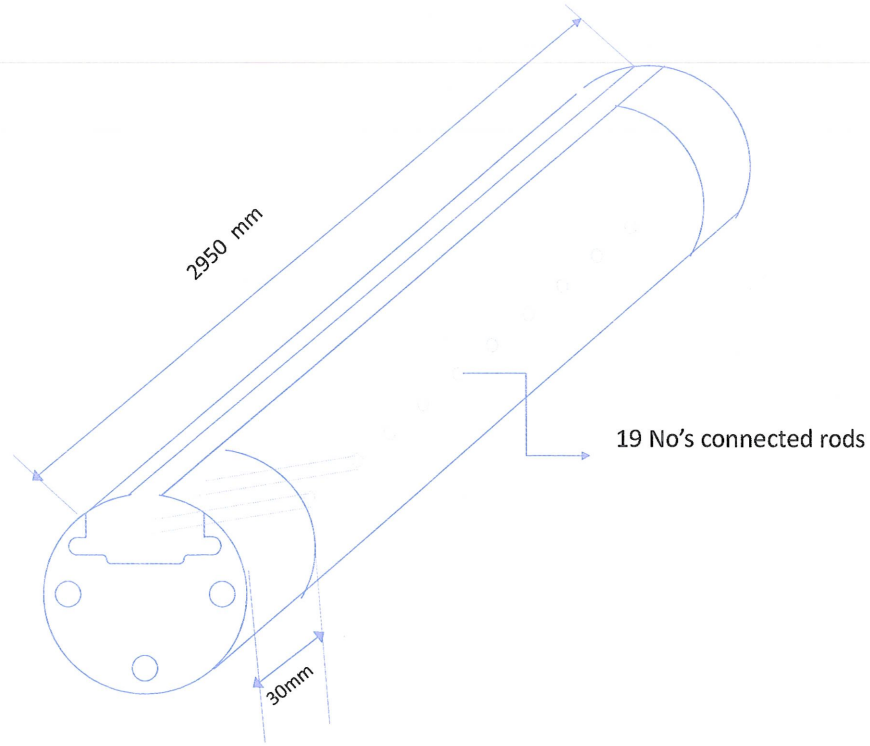
## PART A



## PART B



PART C



**Price Bid Format:**

S. No.	Description	Qty.	UOM	Unit rate	Freight, P&F Charges	GST@	Unit rate including GST & Freight, P&F Charges	Grand total inclusive of GST and Freight, P&F Charges (DAP, BNPM, Mysore)
1.	<b>Master Vat curtain holder unit Material: SS 316L Attached Drawing</b>	01	Nos					
<b>Total price inclusive of all tax, freight , P&amp;F charges</b>								

Note: Vendor has to visit BNPM to take final drawing before manufacturing the unit.

We hereby confirm that

1. We accept all terms & conditions mentioned in the enquiry.
2. Price quoted is inclusive of all taxes, P&F, freight etc. on DAP, BNPM, Mysore basis.
3. HSN Code:

Signature of bidder: .....

Name of the Firm: .....

Seal of the firm: .....

GST No: .....

